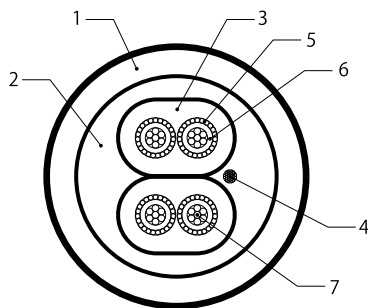


Features

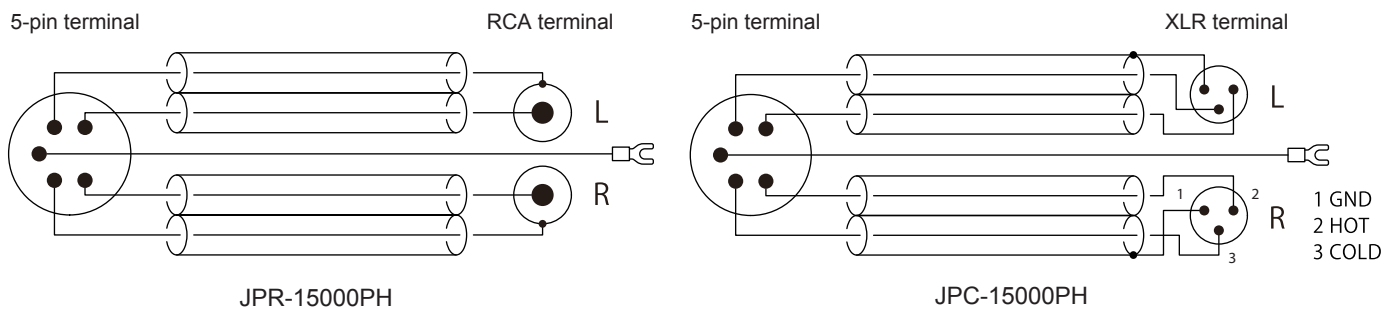
- High quality phono cable for properly equipped tonearms with 5-pin DIN connector
- The JPR-15000PH is a newly developed, easy to install, high quality RCA cable with high conductivity core wire
- The JPC-15000 is fitted with genuine Neutrik connectors
- Large diameter cores utilize highly pure 7N Class D.U.C.C. (99.99998%+ pure copper), ensuring the lowest possible impedance
- D.U.C.C. (Dia Ultra Crystallized Copper) : Using the world's highest purity copper, while maintaining a crystal size similar to conventional high end interconnects, D.U.C.C. allows for an even higher grade of conductivity, with optimized crystal alignment resulting in significantly improved performance for dedicated high end audio cables
- An integrated bound structure of the Left and Right channels to minimize unwanted ground loops
- A non-twisted structure eliminates unwanted inductance, resulting in an unconstrained and lively sound
- Individual shielding for hot and cold transmission lines reduce line-to-line capacitance by half, improving high frequency characteristics
- The internal sheath contains non-magnetic carbon-based pigment that eliminates the influence of coloring on sound quality. We chose a vivid blue color for the outer sheath

Sectional view



- | | |
|--------------------------|--------------------------------|
| 1. Non-conductive sheath | 5. Shield |
| 2. Conductive sheath | 6. Non-conductive sheath |
| 3. Non-conductive sheath | 7. 7N-Class D.U.C.C. conductor |
| 4. Drain wire | |

Structure



Specifications

Structure	Individually shielded 2-core, non-twisted structure
Core wire	High-purity copper (7N CLASS D.U.C.C.), $\phi 0.26\text{mm} \times 7\text{pcs}$
Insulator	Polyethylene (white, blue, red, black)
Shielded wire	Oxygen-free copper (OFC) wire, $\phi 0.18\text{mm} \times 23\text{pcs}$
Sheath	PVC (blue)
Drain wire	Oxygen-free copper (OFC) wire, $\phi 0.08\text{mm} \times 30\text{pcs}$
Earth wire	$\phi 0.18\text{mm} \times 84\text{pcs}$
Conductor resistance	50m Ω /m or less (at 20)
Insulation resistance	5,000M Ω /m or more (at 20)
Capacitance	76pF/m or less
Withstand voltage	1,000V AC
Cable outside diameter	$\phi 11\text{mm}$

ver.20240129