

Luxman

NETWORK TRANSPORT

NT-07

Owner's Manual

Contents

| | |
|---------------------------------------|----|
| Precautions | 1 |
| Features of This Unit..... | 2 |
| Before Use | 3 |
| Names and Functions..... | 6 |
| Connections | 11 |
| Operations..... | 14 |
| Settings | 15 |
| Block Diagram..... | 19 |
| Specifications | 20 |
| Before Asking for Repair Service..... | 21 |

Installation location

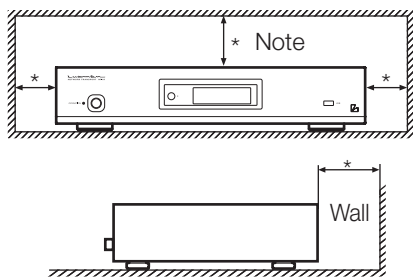
Install this unit in a location where good ventilation and heat radiation are assured.

Especially, installation of this unit where direct sunlight is present, where the temperature rises excessively high such as close to a heater, or where it is humid or dusty may cause a malfunction even if heat is efficiently released.

Therefore, do not install this unit in such places.

Note:

For heat dispersal, do not install this equipment in a confined space such as a book shelf or similar unit.



- Choose a stable place near the stereo system that is to be used in combination with this unit.
- Do not install this unit near a television or color monitor. Keep this unit away from magnetically sensitive devices such as cassette decks.
- Install this unit on a level surface.

Avoid the following locations for installation.

- Locations exposed to direct sunlight
- Locations subject to humidity and which lack ventilation
- Locations that are extremely hot or cold
- Locations which experience strong vibration
- Dusty locations
- Locations subject to oil, steam, and heat (such as kitchens)

Avoid sources of heat

Do not place this unit on such device as an amplifier that may emit heat. If the unit is installed on a rack, install the unit as distantly as possible from where the amplifier is installed so as to avoid heat emission from the amplifier and other audio devices.

Turn off this unit when it is not used.

Depending on the condition of radio waves emitted during television broadcasting, interference fringes may appear on the television monitor, but that is not a malfunction. In such a case, turn off the unit. There may also be a case where noises are heard on the radio due to radio wave interference.

Sound is not generated shortly after the power supply is turned on.

This unit takes approximately 30 seconds to complete operation preparation after turning on the power. After that, playback can be performed by the dedicated app or the supplied remote control.

Notice on handling optical digital cables

- Do not fold the cables. For storage, wind each cable into a coil about 15 cm in diameter or larger.
- For connection, insert the cable connectors firmly into the terminals of this unit and the other device.
- Only use 3 meter long cables or shorter.
- When the cable connectors get dusty, wipe the dust away with a dry soft cloth before inserting into the terminals.

Cleaning

- Usually, wipe the unit with a dry soft cloth. When the dirt is hard to remove, dip a soft cloth in detergent diluted 5 or 6 times with water, wring it well, and remove contaminants. Then, remove the moisture with dry cloth.
- Do not use a solvent like alcohol, benzine, thinner, or pesticide because such a substance can damage the exterior. In addition, do not let this unit contact a rubber or plastic foam for a long time. That may damage the cabinet surface of the unit.
- When using a chemical cloth for cleaning, read the caution provided with the chemical cloth product.
- Before cleaning, unplug the power cable from the AC outlet.

Repair and adjustment

When repairs or adjustments are needed, please consult the dealer who sold you the unit.

Batteries

Warning: Batteries used for the remote control shall not be exposed to excessive heat such as sunshine, fire or the like.

Safety cautions

Caution

- Exercise extra care when this unit is unpacked, assembled, transported, and installed because this unit is heavy.
-

Features of This Unit

Network transport function

This cutting-edge network transport function allows you to enjoy various network audio worlds in a simple and easy way by connecting your D/A converter (a product with USB, coaxial, or optical digital input).

Music streaming service available

Playback of high-quality music streaming service (Qobuz, TIDAL, Spotify, and TuneIn) is available.

* To play each music stream, user registration or fee-based contract is individually necessary.

High resolution sound source supported

Three digital audio output terminals are available: USB, coaxial, and optical. The USB output supports PCM of up to 768 kHz and DSD of up to 22.5 MHz. The coaxial and optical outputs support PCM of up to 192 kHz.

HDMI input/output terminals

This unit is equipped with an HDMI input that can input digital audio signals of various image sources such as a Blu-ray player and a gaming machine and with an HDMI output that supports ARC to enable the audio of the connected TV to be played.

Dedicated app “LUXMAN Stream”

“LUXMAN Stream” that is dedicated to this unit to achieve sophisticated operability allows for sound source selection, playlist creation, and various settings of this unit.

* You can download and use “LUXMAN Stream” in accordance with the OS of your smartphone or tablet (iOS and Android supported).

High-speed processor in newest generation

This unit is equipped with a newest-generation high-speed processor module to smoothly perform the mounted abundant functions.

Highly stable power supply circuit

This highly stable power supply circuit consists of a large-sized power transformer with top quality given to sound quality and 2 sets of 10,000 μ F large-capacity blocking capacitors.

Thin type housing design

This unit has a simple exterior and a thin housing in order for you to incorporate it into an existing audio system with ease.

Multi-function remote control

This remote control is made of aluminum, which allows you to operate not only major operations of this unit but also playback operation of CD/SACD players and sound volume operation of integrated amplifiers/control amplifiers manufactured by LUXMAN.

High-definition organic light emitting display

This is a high-definition large-sized organic light emitting display on which the title, artist name, time elapsed, format, and more of the music in play are clearly displayed.

Control terminal

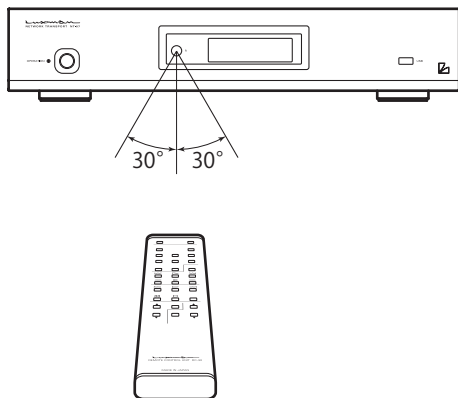
These are control input/output terminals to interlock operations of the remote control among LUXMAN's compatible products.

-
- Mac, Mac OS, OS X and macOS are trademarks of Apple Inc., registered in the U.S. and other countries.
 - Windows is a registered trademark of Microsoft Corporation in the United States and/or other countries.
 - DSD is a registered trademark.
 - Sound Wave Logo is a registered trade mark of MQA Limited. © 2018
 - MQA is a registered trade mark of MQA Limited. © 2018
 - Being Roon Ready means that LUXMAN uses Roon streaming technology, for an incredible user interface, simple setup, rock-solid daily reliability, and the highest levels of audio performance, without compromise.
 - Wi-Fi is a registered trademark of Wi-Fi Alliance.
 - In addition, the described company names, product names, and logotypes are the trademarks or registered trademarks of each company.
-

Before Use

Remote control's range

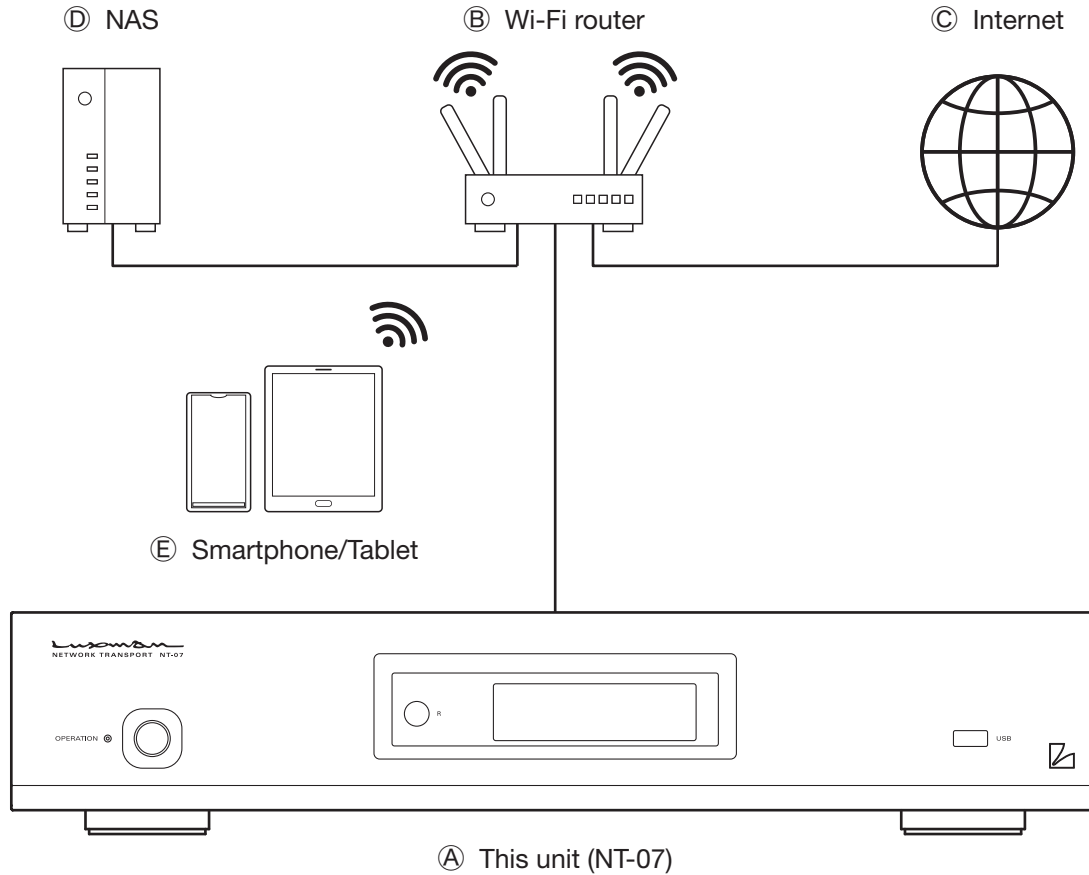
To use the remote control, aim it at the remote control infrared receiver on the front panel of this unit. The effective distance is approx. 5 m from the main unit and at 30 ° to either side of the remote control infrared receiver.



Effective distance: approx. 5 meters

Do not expose the remote control infrared receiver to direct sunlight or strong light sources. That may cause a malfunction.

Preparation and confirmation of network environment



(A) This unit (NT-07)

Connect a LAN cable to the network terminal (NETWORK) on the rear panel.

(B) Wi-Fi router

Connect a Wi-Fi router to the wired LAN terminal of this unit with the LAN cable.

This router allows this unit to connect to the smartphones/tablets on which the dedicated app, "LUXMAN Stream" is installed via a wireless network (Wi-Fi).

To assign an IP address to this unit, activate the DHCP server function of the Wi-Fi router.

(C) Internet

The Internet line is necessary to install the dedicated app, "LUXMAN Stream", on a smartphone or a tablet, play music streaming services, to updated the firmware of this unit, and so on.

(D) NAS (Network Attached Storage)

A music server (UPnP-compatible media server) can be connected to save and manage a large amount of audio files.

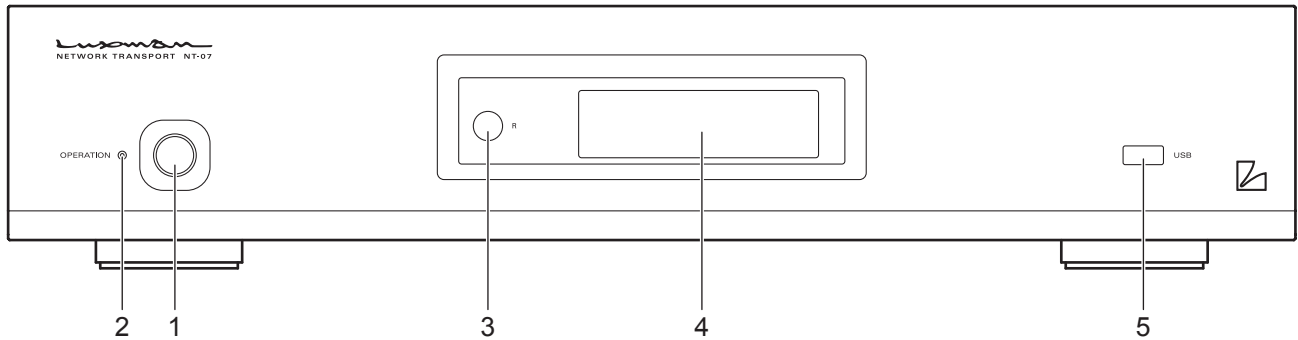
UPnP-compatible MinimServer is recommended for this unit.

(E) Smartphone/Tablet

To operate and configure this unit, it is necessary to install the dedicated app, "LUXMAN Stream".

Names and Functions

Front view



1. Operation button (OPERATION)

Toggles the power on and off.

When wiring or connection is performed, be sure to turn off this button.

2. Operation indicator (OPERATION)

Blinks blue during warm-up when the operation button is turned on and lights up when the operation state is activated afterward.

Lights up orange when this unit is in the standby state.

3. Remote control infrared receiver (R)

Receives signals from the accessory remote control.

4. Display

This display shows the title, artist name, time elapsed, and format of the music in play, and the operation state of this unit.

5. USB terminal (USB)

This terminal connects to a USB storage device (such as a USB memory and a USB hard disk) on which music data is saved.

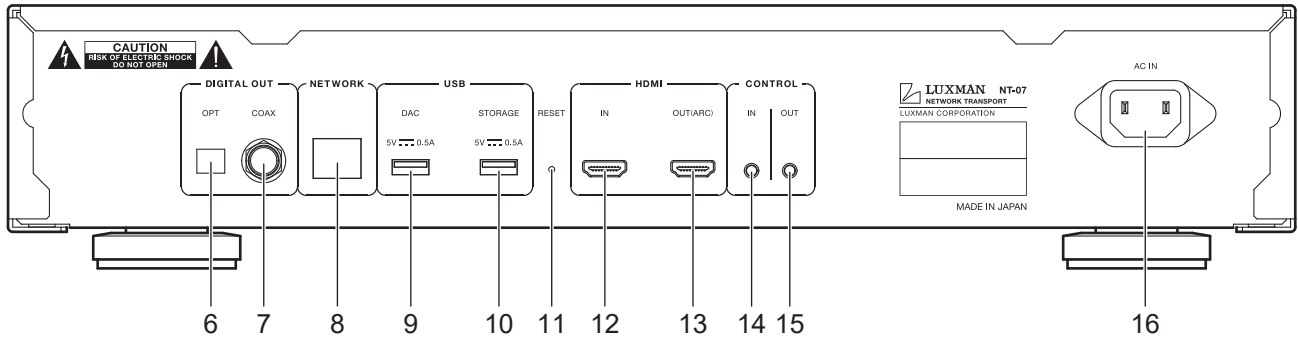
This terminal is for exclusive use with the USB terminal (STORAGE) on the rear panel. When a USB storage device is inserted into the USB terminal on the rear panel, this terminal does not work.

The USB storage supports the following format.

Single partition, FAT32, exFAT, and NTFS

The supply current to this terminal is up to 500 mA. When a USB storage device is inserted into the USB terminal (STORAGE) on the rear panel, the total current of the two terminals is up to 500 mA.

Rear panel



6. Optical digital output terminal (OPT)

This terminal connects to a D/A converter or an amplifier that has an optical digital input terminal using an optical digital cable.

This terminal supports the following PCM format.

Channel: 2ch (stereo)

Sampling frequency: 44.1 kHz, 48 kHz, 88.2 kHz, 96 kHz,
176.4 kHz, 192 kHz

Quantization bit rate: 16-bit, 24-bit

This terminal is a shutter-type. Direct the cable connector correctly, when connecting. If the cable connector is inserted forcibly in the wrong direction, the terminal may be deformed and the shutter may not be able to close even after disconnecting the cable.

7. Coaxial digital output terminal (COAX)

This terminal connects to a D/A converter or an amplifier that has a coaxial digital input terminal using a coaxial digital cable.

This terminal supports the following PCM format.

Channel: 2ch (stereo)

Sampling frequency: 44.1 kHz, 48 kHz, 88.2 kHz, 96 kHz,
176.4 kHz, 192 kHz

Quantization bit rate: 16-bit, 24-bit

8. Network terminal (NETWORK)

This is a network terminal that is compatible with 1000Base-T Ethernet. This terminal connects to an in-house network using a LAN cable.

The LAN cable should be a Cat6 (Category 6) cable or higher.

9. USB terminal (DAC)

This terminal connects to a D/A converter or a CD/SACD player with D/A converter function that has a USB input terminal using a USB audio cable.

This terminal supports the following digital format.

- PCM

Channel: 2ch (stereo)

Sampling frequency: 44.1 kHz, 48 kHz, 88.2 kHz, 96 kHz,
176.4 kHz, 192 kHz, 352.8 kHz,
384 kHz, 705.6 kHz, 768 kHz

Quantization bit rate: 16-bit, 24-bit, 32-bit

- DSD

Channel: 2ch (stereo)

Sampling frequency: 2.8 MHz, 5.6 MHz, 11.2 MHz,
22.5MHz

Quantization bit rate: 1-bit

This unit does not support PCM signal (32bit Float).

Names and Functions

10. USB terminal (STORAGE)

This terminal connects to a USB storage device (such as a USB memory and a USB hard disk) on which music data is saved.

This terminal is for exclusive use with the USB terminal on the front panel. When a USB storage device is inserted into the USB terminal on the front panel, this terminal does not work.

The USB drive supports the following format.
Single partition, FAT32, exFAT, and NTFS

The supply current to this terminal is up to 500 mA.

When a USB drive is inserted into the terminal on the front panel, the total current of the two terminals is up to 500 mA.0

11. Reset button (RESET)

This button allows the settings of this unit to return to the factory default.

When this unit is reset, press the operation button (OPERATION) on the front panel while keeping on slightly pressing the reset button with the tip of a ballpoint pen or the like in the state of power off, and release the reset button after our logo, "Luxman", appears on the display.

12. HDMI input terminal (HDMI IN)

This terminal connects to a video device that has an HDMI output terminal using an HDMI cable.

This terminal supports the following PCM format.

(Video signals are passed through to the HDMI output terminal (HDMI OUT (ARC).)

Channel: 2ch (stereo)

Sampling frequency: 44.1 kHz, 48 kHz, 88.2 kHz, 96 kHz,
176.4 kHz, 192 kHz

Quantization bit rate: 16-bit, 24-bit

The HDMI cable should be selected in accordance with the resolution of the TV or display to be connected to the HDMI output terminal.

13. HDMI output terminal (HDMI OUT (ARC))

This terminal connects to a TV or a display that has an HDMI input terminal using an HDMI cable.

When using the ARC input function with the HDMI output terminal of this unit, connect a TV or a display that has an ARC-compatible HDMI input terminal.

This terminal supports the following PCM format.

Channel: 2ch (stereo)

Sampling frequency: 44.1 kHz, 48 kHz, 88.2 kHz, 96 kHz,
176.4 kHz, 192 kHz

Quantization bit rate: 16-bit, 24-bit

The HDMI cable should be selected in accordance with the resolution of the TV or display.

14. Control input terminal (CONTROL IN)

Connects a LUXMAN's device with a control output terminal using a commercially available 3.5-mm monaural mini-jack cable.

This connection enables the infrared receiver of the connected device to receive signals from the remote control supplied with this unit and the remote control to operate the device.

(When a cable is connected to the control input terminal, the infrared receiver of this unit will not function.)

15. Control output terminal (CONTROL OUT)

Connects a LUXMAN's device with a control input terminal using a commercially available 3.5-mm monaural mini-jack cable.

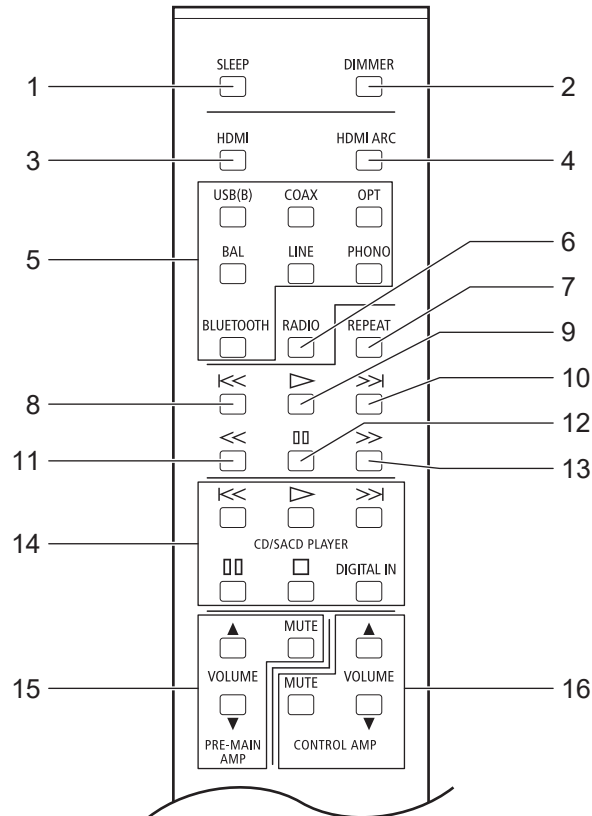
This connection enables the infrared receiver of this unit to receive signals from the remote control of the connected device and the remote control to operate this unit, too.

(When a cable is connected to the control input terminal, the infrared receiver of the device will not function.)

16. AC inlet (AC IN)

Connect the accessory power cable here to supply power from the AC outlet on the wall.

Remote control



1. Sleep button (SLEEP)

This button switches this unit to the standby state where power consumption is suppressed.

Pressing this button again allows this unit to be switched to the normal operation state.

The operation indicator (OPERATION) lights orange at standby.

2. Dimmer button (DIMMER)

This button adjusts the brightness of the display.

The brightness can be adjusted in 4 steps from off to the brightest.

Every time this button is pressed, the brightness is set to Normal light → Dim → No light → Brighter → (return to) Normal light, repeatedly.

Factory default: Normal brightness

3. HDMI input button (HDMI)

This button selects the digital audio of the video device connected to the HDMI input terminal (HDMI IN) on the rear panel.

4. HDMI ARC input terminal (HDMI ARC)

This button selects the digital audio of the TV or display connected to the HDMI output terminal (HDMI OUT (ARC)) on the rear panel.

5. (Not applicable to this unit)

These input selection buttons are not applicable to this unit.

6. Internet radio button (RADIO)

This button selects an Internet radio station that has been preset.

To use the radio function of this unit, you need to register with the Internet radio service Tuneln.

7. Repeat button (REPEAT)

This button plays back the tracks registered on the playlist* repeatedly.

Names and Functions

8. Previous button (⏮)

This button moves the playback start to the beginning of the track in play.

When the track in play is within 5 seconds from the beginning, pressing this button starts the playback of the previous track on the playlist* from the beginning.

9. Play button (▶)

This button plays back the tracks registered on the playlist*.

10. Next button (⏭)

This button plays back the next track on the playlist*.

11. Rewind button (⏪)

This button moves back the track in play approximately 10 seconds.

12. Pause button (⏸)

This button temporarily stops the track in play.

When this button is pressed again, the playback starts again.

13. Fast-forward button (⏩)

This button moves forward the track in play approximately 10 seconds.

The buttons from 7 through 13 are used when the tracks registered on the playlist are played back.

14. (Operation buttons for CD/SACD player products)

Major operations of LUXMAN's CD/SACD players can be conducted with these buttons.

15. (Operation buttons for integrated amplifier products)

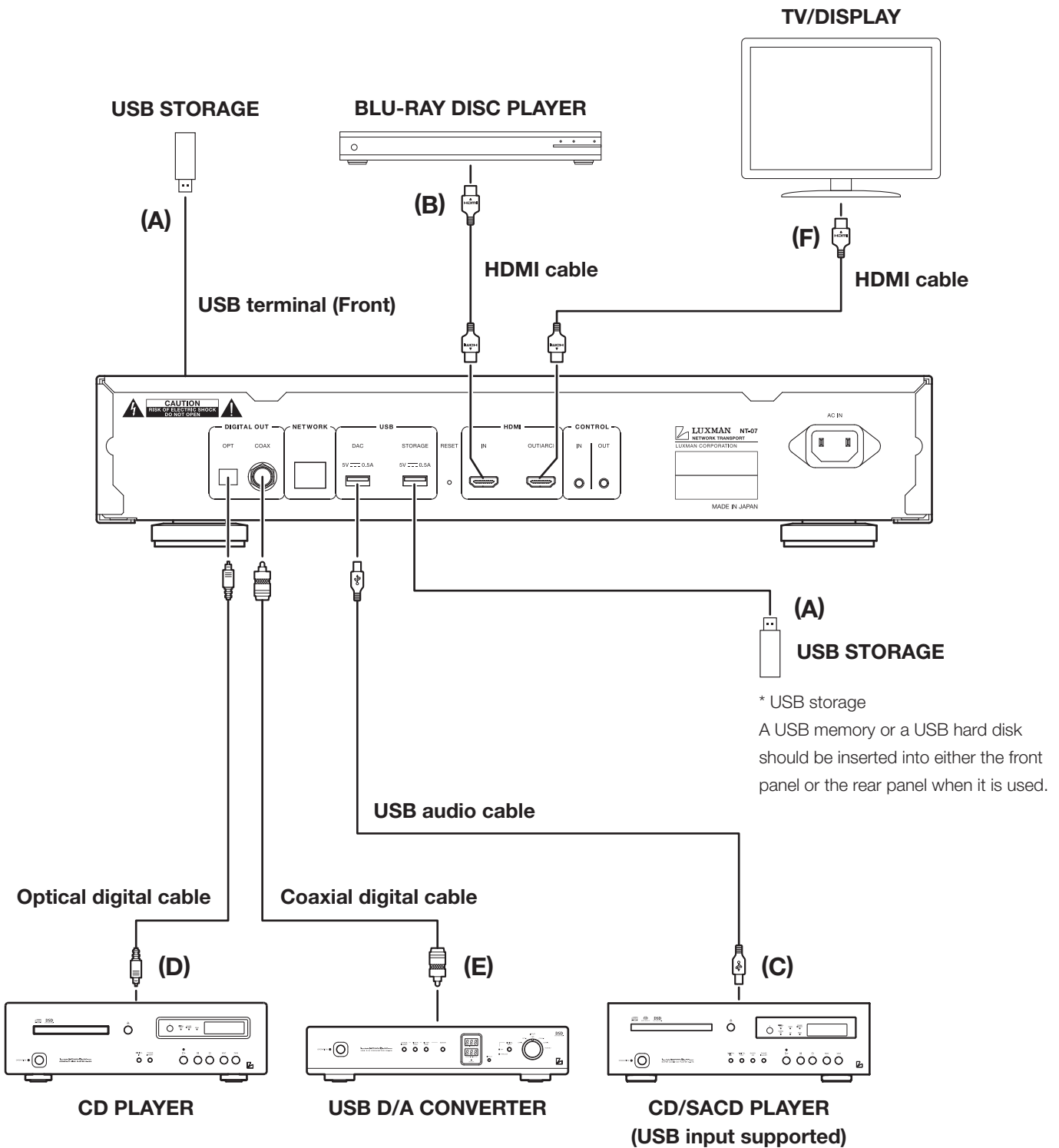
Sound volume operations of LUXMAN's integrated amplifiers can be conducted with these buttons.

16. (Operation buttons for control amplifier products)

Sound volume operations of LUXMAN's control amplifiers can be conducted with these buttons.

To create or play back the playlist, you need to preset the dedicated app "LUXMAN Stream." Refer to Operation Manual for the dedicated app "LUXMAN Stream" for further information.

Connections



Connections

Before connecting

Before connecting other devices, connect the jack side of the accessory power cable to the AC inlet of this unit.

When connecting, turn off the power button of this unit and the power supplies of auxiliary devices to prevent unexpected accidents that may be caused by noise.

How to connect power supply

Insert the accessory power supply cable plug into an AC outlet on the wall of the listening room.

How to connect network

Connect between the Wi-Fi router prepared in the step of "Preparation and confirmation of network environment" on page 5 and the network terminal (NETWORK) of this unit using a LAN cable.

The LAN cable should be a Cat6 (Category 6) cable or higher.

How to connect input devices

1. USB storage connection (Refer to the connection diagram (A).)

When a USB storage device is used as a sound source, insert a USB memory, a USB hard disk, or the like into the USB terminal (USB, STORAGE) on the front or rear panel.

The USB terminal can only be used on either the front panel or the rear panel. When a USB storage device is inserted into one USB terminal, the other USB terminal does not work.

2. Digital input from a device such as a Blu-ray player (Refer to the connection diagram (B).)

When audio signals of a video device are inputted, connect the HDMI output terminal of the video device such as a Blu-ray player to the HDMI input terminal (HDMI IN) of this unit using an HDMI cable.

To play audio from a device connected to the HDMI input terminal (HDMI IN), press the HDMI input button (HDMI) on the remote control.

How to connect output devices

1. Digital output to a device such as USB D/A converter (Refer to the connection diagram (C).)

Connect the USB terminal (DAC) (USB, A-type) of this unit to a D/A converter or the like that has a USB terminal (USB, B-type) using a USB audio cable.

2. Digital output to a device such as another D/A converter (Refer to connection diagrams (D) and (E).)

Connect the optical digital output terminal (OPT) of this unit to a device that has an optical digital input terminal using an optical digital cable.

Connect the coaxial digital output terminal (COAX) of this unit to a device that has a coaxial digital input terminal using a coaxial digital cable.

The digital output of this unit can be selected with the dedicated app, "LUXMAN Stream" and switched among the USB (DAC), optical (OPT), and coaxial (COAX) types.

When "USB" is selected, the output is from USB (DAC) and not from optical (OPT) or coaxial (COAX) terminals. When "SPDIF" is selected, output is from both optical (OPT) and coaxial (COAX) terminals, but not from USB (DAC).

3. TV/Display connection (Refer to connection diagram (F).)

Pass through video signals inputted into the HDMI input terminal (HDMI IN) from the HDMI output terminal (HDMI OUT (ARC)), and connect this unit to the HDMI input terminal of a TV or a display using an HDMI cable.

Pressing the HDMI ARC button of the remote control allows HDMI ARC-compatible digital audio signals from the TV or display to be inputted into this unit.

The HDMI terminals (HDMI IN and HDMI OUT (ARC)) of this unit support the following PCM format:

Channel: 2ch (stereo)

Sampling frequency: 44.1 kHz, 48 kHz, 88.2 kHz, 96 kHz, 176.4 kHz, 192 kHz

Quantization bit rate: 16-bit, 24-bit

Do not input signals other than linear PCM such as Dolby Digital, DTS, and AAC. Failure to observe this may generate large noise.

When a Blu-ray player or a TV is connected, set the audio output to "PCM 2 channel."

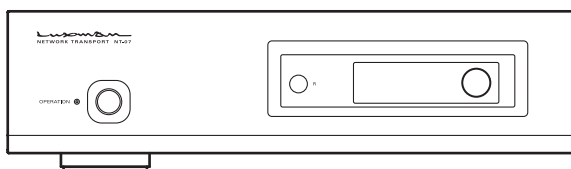
This unit is not equipped with the HDMI control function (HDMI CEC) that interlocks multiple HDMI devices.

Operations

Before operation

1. Ensure that all connections have been correctly performed.
2. Press the operation button (OPERATION) to turn on the power of this unit after confirming that the sound volume is set to the minimum position.
3. This unit starts up in approximately 30 seconds after turning on the power.

After this unit properly starts up, the display of the main unit will appear as shown below.



If this unit is not properly connected to the network, "Please check network connection" appears on the display of the main unit.

After this unit starts up, use the app to playback operation.

How to use dedicated app "LUXMAN Stream"

This unit is an OpenHome-compatible network transport product.

Installation of "LUXMAN Stream" (free of charge) dedicated for smartphones and tablets allows all the operations of this unit, for example setting, selection, and playback of an input source, to be conducted.

After settings with the app, main operations regarding music playback can be conducted also with the supplied remote control.

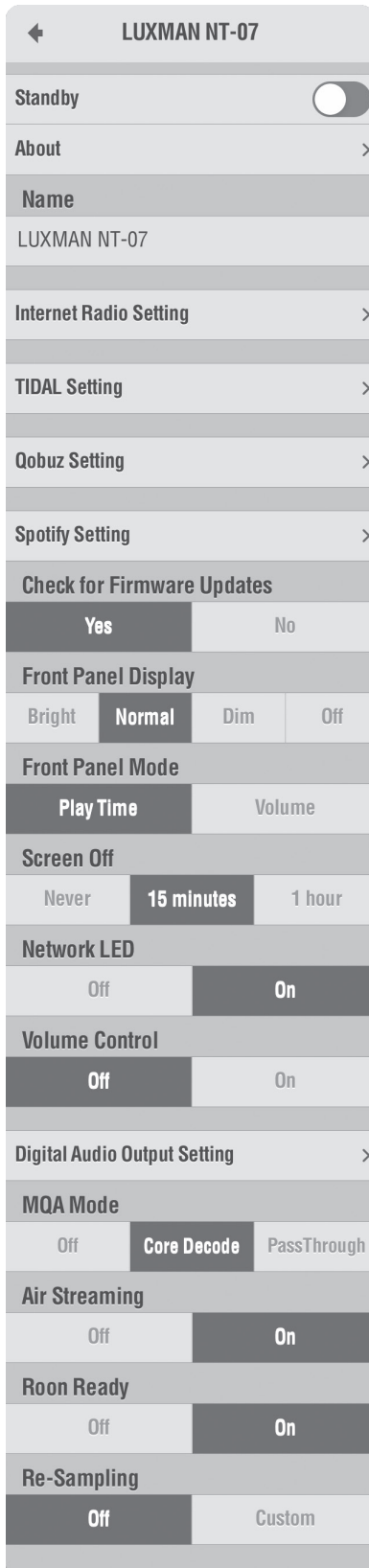
Search App Store or Google Play for "LUXMAN Stream" and download it in accordance with the OS of the smartphone or tablet to be used.

Go to the URL below and download the PDF file of "LUXMAN Stream Operation Manual" for how to "LUXMAN Stream."
<https://www.luxman.co.jp/product/luxmanstream/>



* Part of operation functions such as music playback with the use of this unit can be also conducted with other OpenHome-compatible applications.

Use of the dedicated app “LUXMAN Stream” allows this unit to be settable and customizable. Tap each setting item and change the setting contents as necessary.



Standby

This item switches this unit to the standby state where power consumption is suppressed.

This item operates the same as the sleep button (SLEEP) on the remote control.

The operation indicator (OPERATION) on the front panel lights orange at standby.

About

This item shows a wide variety of information such as the firmware version and network IP address of this unit.

Name

The name of this unit displayed on the network can be changed.

When operating multiple units on the same network, their names can be changed to simply distinguish one from another.

Internet Radio Settings

When the Internet radio service, “TuneIn”, is played, enter the user name.

To use TuneIn, user registration is necessary beforehand. After registration is conducted on the website of TuneIn (<https://tunein.com/>), selection of radio stations or podcasts to be listened to with this unit and registration of them in the library allow these stations or podcasts to be selected or played with this unit.

TIDAL Setting

When the music streaming service, “TIDAL”, is played, enter the user name and password and log on to it.

To use TIDAL, a subscription agreement is necessary beforehand.

Qobuz Setting

When the music streaming service, “Qobuz”, is played, enter the user name and password and log on to it.

To use Qobuz, a subscription agreement is necessary beforehand.

Settings

Spotify Setting

This item selects on or off of the Spotify Connect function of the music streaming service, "Spotify."

To use Spotify, a subscription agreement is necessary beforehand. When playing music with the Spotify app installed on your smartphone or tablet, you can select this unit as an audio output device.

1. When tapping the speaker icon at the bottom of the playback screen of the Spotify app, Spotify Connect-compatible devices in the same network are listed.
2. Selection of this unit (LUXMAN NT-07) in the list allows the music in play with the app to be played back with the system in which this unit is connected.

At this time, connection between the Spotify server and this unit is directly established, and accordingly, the music data on the playlist continues to be played back even if the Spotify app on the smartphone or tablet is finished.

Check for Firmware Updates

"Yes": If up-to-date firmware exists, a pop-up window is displayed to decide whether or not to download the up-to-date firmware and update this unit.

"No": Up-to-date firmware is not searched for.

Front Panel Display

This item operates the same as the dimmer button (DIMMER) on the remote control.

The brightness of the front panel display is adjusted to your favorite brightness.

Front panel mode

This item selects the information shown in the circular frame on the front panel display.

"Play Time": Playback elapsed time is shown.

"Volume": Sound volume is shown when the volume control mode of this unit is set to On.

* When the volume control mode is set to Off, "Volume" always shows "100" (%).

Screen Off

This item selects an automatic light-out condition of the front panel display.

"Never": The display is always shown.

"15 minutes": When music is not played back, the light is turned off in 15 minutes.

"1 hour": When music is not played back, the light is turned off in 1 hour.

Network LED

"Off": The operation LED of the network terminal (NETWORK) on the rear panel is turned off.

"On": The operation LED lights.

Volume Control

"Off": The digital volume function embedded in this unit is deactivated.

"On": The digital volume function is activated and the sound volume is set to "30" (%).

At this time, the volume ring to adjust the sound volume with the app is activated.

Refer to Operation Manual for the dedicated app "LUXMAN Stream" for further information on sound volume operation. Selection of "Off" again deactivates the digital volume function and sets the sound volume to "100" (%), and accordingly, a pop-up window is displayed to attract attention to loud sound volume.

When the sound volume is adjustable with an audio system to be connected, set this function to "Off."

Digital Audio Output Setting

This item selects an output terminal of this unit in accordance with the D/A converter to be connected.

“USB”: Digital audio signals are outputted from the USB (DAC) terminal on the rear panel.

“SPDIF”: Digital audio signals are outputted from the coaxial (COAX) and optical (OPT) terminals on the rear panel.

The upper limit of the playable sampling frequency differs depending on the output terminal to be selected.

Please refer to “Names and Functions” on page 6 for the sampling frequency corresponding to each terminal.

MQA Mode

This item selects a playback method of an MQA-formatted sound source.

“Off”: An MQA sound source is outputted in a digital format as a regular PCM sound source.

“Core Decode”: Only pre-stage processing (core decoding) of an MQA sound source is conducted, and outputted in a digital format.

* To fully decode an MQA sound source, the digital output of this unit needs to be connected to a D/A converter that has the MQA renderer function.

“PassThrough”: A MQA sound source is outputted in a digital format without any processing.

* When the digital output of this unit is connected to a D/A converter that has the MQA fully decoding function, select this mode.

Air Streaming

This item sets the receiver function that is compatible with Apple AirPlay.

“Off”: This function is deactivated.

“On”: This unit is operated as a AirPlay-compatible device.

Roon Ready

This item operates this unit as an output device of comprehensive music playback software, Roon.

“Off”: This function is deactivated.

“On”: This function is activated, and this unit becomes selectable as an output device of Roon.

As of Sep 2023, this unit is in the process of certification work as a Roon Ready device. After completion of certification work, this function can be activated.

Settings

| Re-Sampling | | | | | | |
|-----------------------------|---------|--------|----------|----------|---------|---------|
| Off | | | Custom | | | |
| DSD 256 | | | | | | |
| DSD 256 | DSD 128 | DSD 64 | 352.8kHz | 176.4kHz | 88.2kHz | 44.1kHz |
| DSD 128 | | | | | | |
| DSD 256 | DSD 128 | DSD 64 | 352.8kHz | 176.4kHz | 88.2kHz | 44.1kHz |
| DSD 64 | | | | | | |
| DSD 256 | DSD 128 | DSD 64 | 352.8kHz | 176.4kHz | 88.2kHz | 44.1kHz |
| 384kHz PCM | | | | | | |
| DSD 256 | DSD 128 | DSD 64 | Native | 192kHz | 96kHz | 48kHz |
| 352.8kHz PCM | | | | | | |
| DSD 256 | DSD 128 | DSD 64 | Native | 176.4kHz | 88.2kHz | 44.1kHz |
| 192kHz PCM | | | | | | |
| DSD 256 | DSD 128 | DSD 64 | 384kHz | Native | 96kHz | 48kHz |
| 176.4kHz PCM | | | | | | |
| DSD 256 | DSD 128 | DSD 64 | 352.8kHz | Native | 88.2kHz | 44.1kHz |
| 96kHz PCM | | | | | | |
| DSD 256 | DSD 128 | DSD 64 | 384kHz | 192kHz | Native | 48kHz |
| 88.2kHz PCM | | | | | | |
| DSD 256 | DSD 128 | DSD 64 | 352.8kHz | 176.4kHz | Native | 44.1kHz |
| 48kHz PCM | | | | | | |
| DSD 256 | DSD 128 | DSD 64 | 384kHz | 192kHz | 96kHz | Native |
| 44.1kHz PCM | | | | | | |
| DSD 256 | DSD 128 | DSD 64 | 352.8kHz | 176.4kHz | 88.2kHz | Native |
| PCM Output Bit Depth | | | | | | |
| Native | | 16 Bit | | 24 Bit | | |

Re-Sampling

This item sets upconverting/downconverting of a sampling frequency for each playback format.

“Off”: The re-sampling function is deactivated.

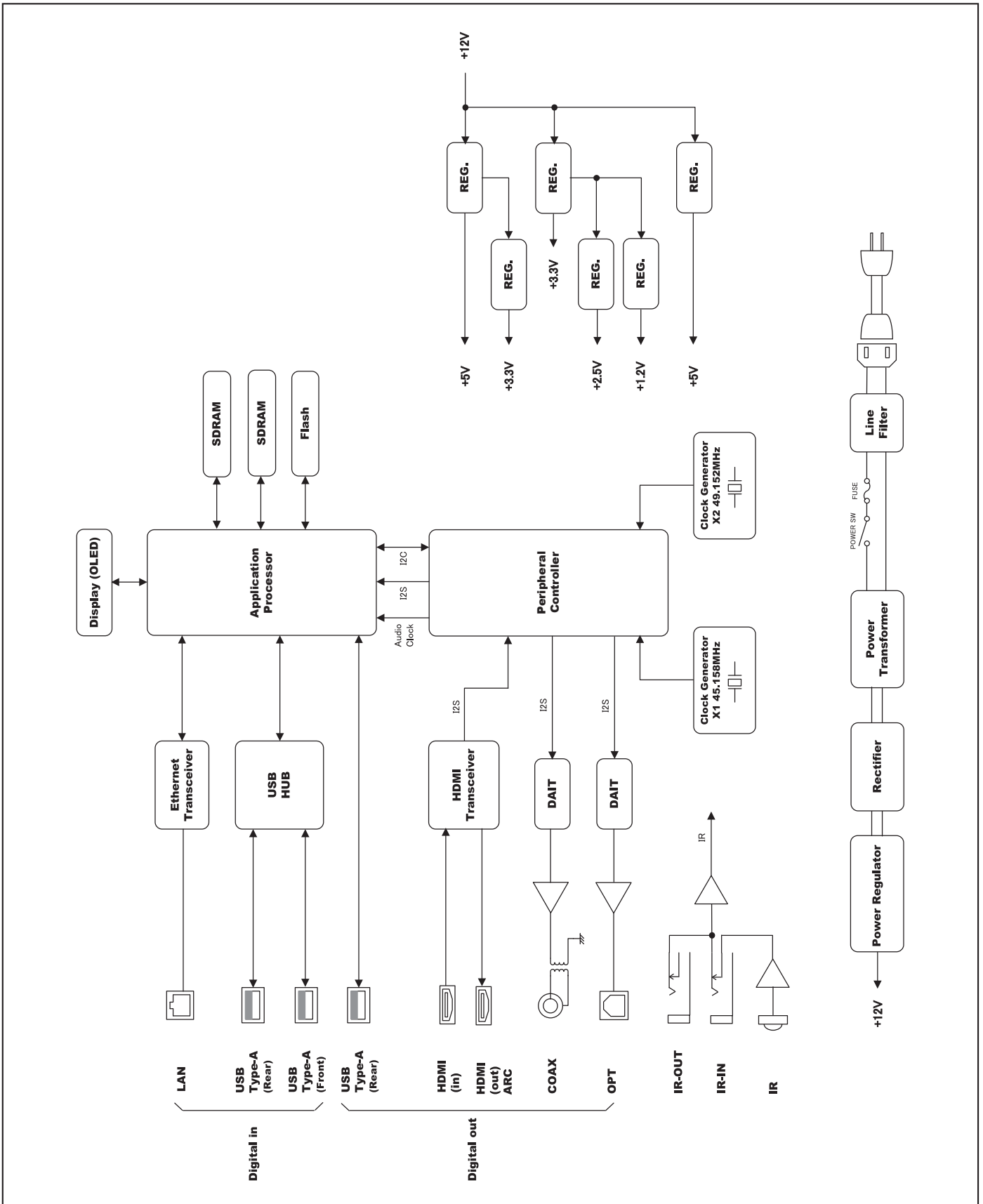
“Custom”: A sampling frequency can be set to up to 8 times (or one-eighth) for each playback format, and either 16 bits or 24 bits can be selected for the output bit depth of PCM. For a PCM sound source, it can be converted to DSD, and for a DSD sound source, it can be also converted to PCM.

This function is useful especially for the following cases:

- You would like to upconvert a CD-quality sound source from music streaming service at the maximum in accordance with the performance of your D/A converter and play back it. (Example: 48 kHz → 384 kHz)
- You would like to convert a file sound source saved in a NAS or the like after CD ripping to DSD and play back it. (Example: 44.1 kHz → DSD256 (11.2 MHz/1 bit))
- You will conduct presetting not to exceed the upper limit of the device by re-sampling setting for each format in accordance with the performance of the device in advance when the sampling frequency of your D/A converter is not high (for example, 96 kHz at the maximum or incompatible with DSD). (Example: All the PCM sound sources downconverted to 96 kHz or 88.2 kHz, all the DSD sound sources downconverted to 88.2 kHz)

Re-sampling setting for an MQA-formatted sound source can be activated only when the MQA mode is set to Off.

Block Diagram



Specifications

| | | |
|--|-----------------------------|---|
| Type | | 2-channel network transport |
| Digital input | Network | 1000 Base-T (Gigabit Ethernet) |
| | HDMI | PCM 2 channel, 4K passthrough |
| Digital output | USB | USB 2.0 compliant |
| | COAX | 0.5Vp-p/75Ω |
| | OPT | -15 to -21 dBm |
| | HDMI | PCM 2 channel, 4K passthrough, ARC (Audio Return Channel) supported |
| Storage connection | Two USB terminal | USB 2.0 compliant |
| | | Single partition, FAT32, exFAT, NTFS supported |
| Sampling frequency | USB | PCM: 44.1 kHz, 48 kHz, 88.2 kHz, 96 kHz, 176.4 kHz, 192 kHz, 352.8 kHz, 384 kHz, 705.6 kHz, 768 kHz (16bit, 24bit, 32bit) DSD: 2.8 MHz, 5.6 MHz, 11.2 MHz, 22.5 MHz (1 bit) |
| | OPT, COAX HDMI OUT (ARC) | PCM: 44.1 kHz, 48 kHz, 88.2 kHz, 96 kHz, 176.4 kHz, 192 kHz (16 bit, 24 bit) |
| Supported file format | | WAV, AIFF, FLAC, ALAC, MQA, MP3, AAC, DSD (DSF, DFF) |
| Streaming protocol | | UPnP (OpenHome), TIDAL Connect, Spotify Connect, Roon Ready |
| Dedicated app | LUXMAN Stream | iOS (iPhone, iPad) and Android supported |
| Accessories | | <ul style="list-style-type: none"> • Remote controller RC-30 • Power Cable • Two “AAA” batteries • Owner’s manual (this document) • Safety cautions. |
| Power consumption | | 27 W (when HDMI input/output / USB storage connected) |
| | | 5.9 W (standby mode, when HDMI input/output / USB storage not connected) |
| Power supply | | 230 V ~ (50 Hz) |
| Max. external dimensions | | 440 (W) x 92 (H) x 398 (D) mm (front side display with 3 mm and rear side terminal with 13 mm included in depth) |
| Weight | | 10.3kg (main unit) |
| Ambient operating temperature/ Ambient operating humidity | | +5 °C to +35°C / 5% to 85% (non condensing) |

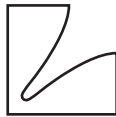
* Specifications and appearance are subject to change without notice.

Before Asking for Repair Service



While in use, this unit may display phenomena which may be confused as malfunctions. Before contacting your country's official LUXMAN distributor for repair services, please read the operating instructions for any connected input and output devices and check the troubleshooting table below. If the cause of the malfunction cannot be identified, please contact your dealer. After LUXMAN's representatives have accepted your request for repair services, inspection fees and transportation expenses may be claimed, even though the unit may be found to be operating normally.

| Problem | Cause/Solution | Ref. page |
|--|---|-----------|
| No power is supplied. | <ul style="list-style-type: none"> • Connect the power cable to the AC inlet and the AC outlet firmly. | 12 |
| No sound is generated. | <ul style="list-style-type: none"> • Connect the input/output cables firmly. | 11 |
| | <ul style="list-style-type: none"> • When SPDIF is selected in the digital output setting of this unit, no audio signal is outputted from the USB (DAC) terminal. When USB is selected, no audio signal is outputted from the SPDIF (optical (OPT) and coaxial (COAX)) terminals. Select the terminal for audio signal output using the dedicated app "LUXMAN Stream". | 17 |
| | <ul style="list-style-type: none"> • Check to see whether the digital signal in play conforms to the sampling frequency, quantization bit count, and audio format that this unit supports. This unit does not support PCM 32bit Float data. | 7 - 8 |
| | <ul style="list-style-type: none"> • Check to see whether the digital signal in play is compatible with the connected D/A converter. | 7 - 8 |
| Sound is interrupted. | <ul style="list-style-type: none"> • Check to see whether a lot of data transmission (such as video watching) is conducted in the in-house network. | 5 |
| | <ul style="list-style-type: none"> • Check to see whether a sufficient transmission rate for playback is secured at streaming playback via the Internet. | 5 |
| The remote control cannot be operated. | <ul style="list-style-type: none"> • Operate the remote control within the specified operating range. | 4 |
| | <ul style="list-style-type: none"> • Replace the batteries in the remote control with new ones. | 3 |
| | <ul style="list-style-type: none"> • Change the installation place or angle of this unit to prevent the infrared receiver of the remote control from being exposed to strong light. | 4 |
| Reset to the factory default. | <ul style="list-style-type: none"> • If the problem is not solved, use the reset button (RESET) on the rear panel to restore this unit to the factory default, and check the symptom again. When this unit is reset, press the operation button (OPERATION) on the front panel while keeping on slightly pressing the reset button (RESET) with the tip of a ballpoint pen or the like in the state of power off, and release the reset button after our logo, "Luxman", appears on the display. | 8 |



LUXMAN CORPORATION, JAPAN

1-3-1 Shinyokohama, Kouhoku-ku, Yokohama-shi, Kanagawa 222-0033, Japan

AG00238G19A
Printed in Japan